

# 8.

# HIWIN LAN Series (2)

## LAN2



Screw type	Ball screw / ACME
Weight*	3.1kg
Protection	IP54
Compatible controller	LAK2 / LAK2L / LAK6B
Working temp	+5°C ~ 40°C

Position feedback specifications (Hall Sensor)	
Supply voltage	24VDC
Output	High level 22VDC Low level 0.2v/10mA sink (NPN)

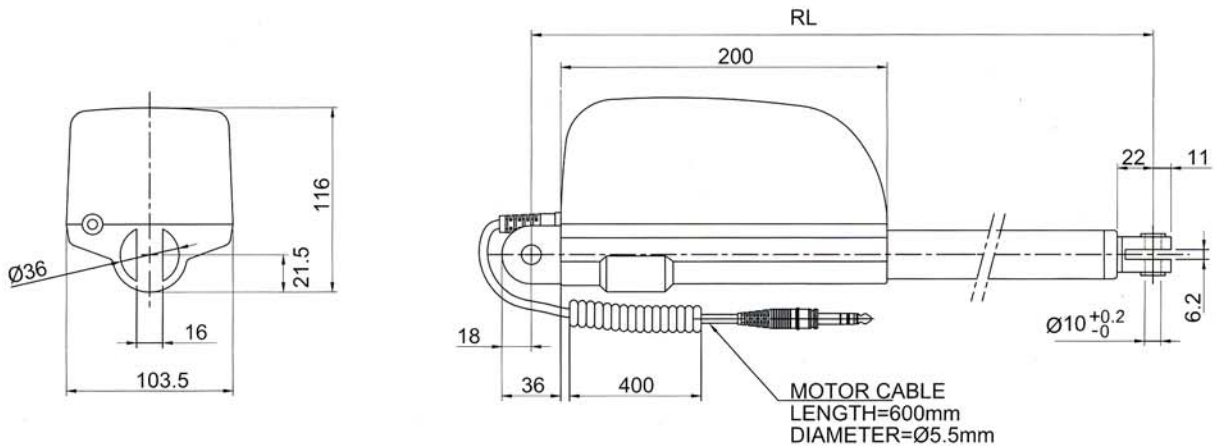
\* Stroke length 300 mm

\* Option: (1)IP66

(2)position feedback

(3)Safety nut: RL=S+194(Ball Screw), RL=S+211(ACME)

(4)Spline(push only): RL=S+231(Ball Screw), RL=S+237(ACME)



- RL=S+198(LAN2-1A,2A,3A)  
RL=S+189(LAN2-1B)
- With external limit switches:  
RL=S+198(LAN2-1A,2A,3A)  
RL=S+199(LAN2-1B)  
RL :Retracted length  
S :Stroke length

