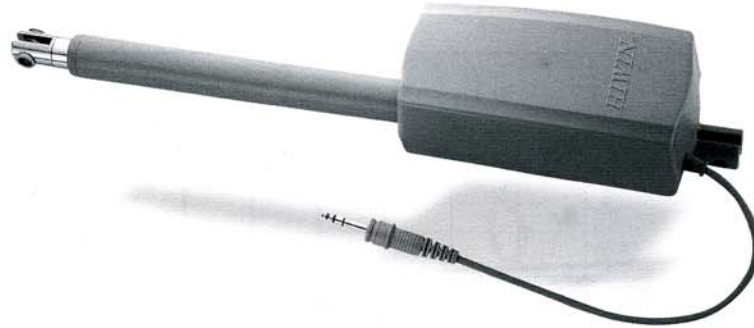


8.

HIWIN LAN Series (4)

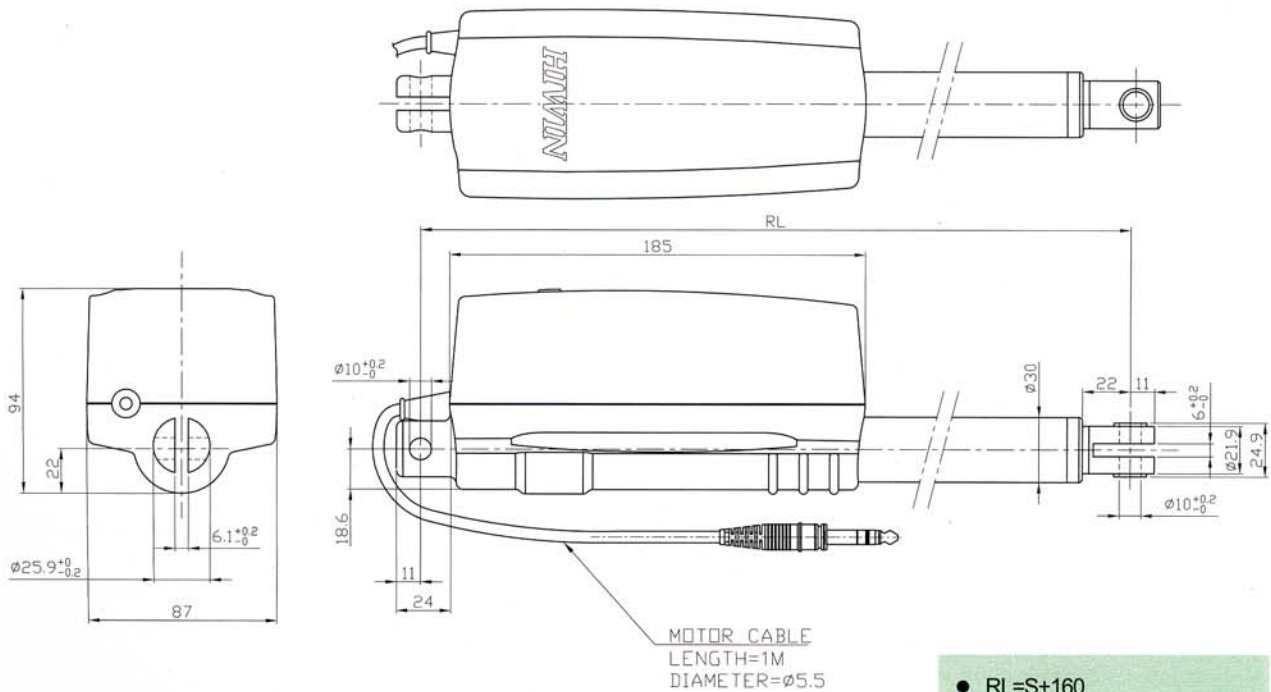
LAN4



Screw type	ACME
Weight*	2.1kg
Protection	IP54
Compatible controller	LAK2 / LAK2B
Working temp	+5°C ~ 40°C

* Stroke length 200 mm

* Option: (1)IP66



- RL=S+160
- RL :Retracted length
- S :Stroke length