

7.

HIWIN LAS4 Series

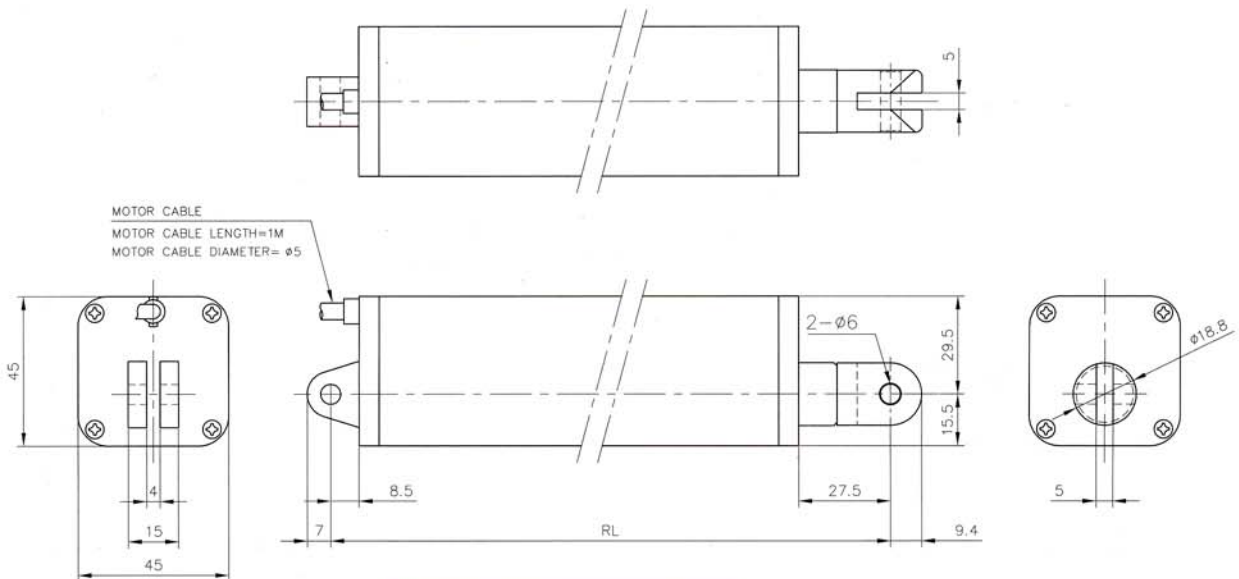
LAS4



Screw type	ACME
Weight*	0.8 kg
Protection	IP 54
Compatible controller	LAK2 / LAK2B / LAK6B
Working temp	+5°C ~ 40°C

* Stroke length 200 mm

* Option: IP65



- $RL=S+222.5(LAS4-1/-2)$
RL : Retracted length
S : Stroke length