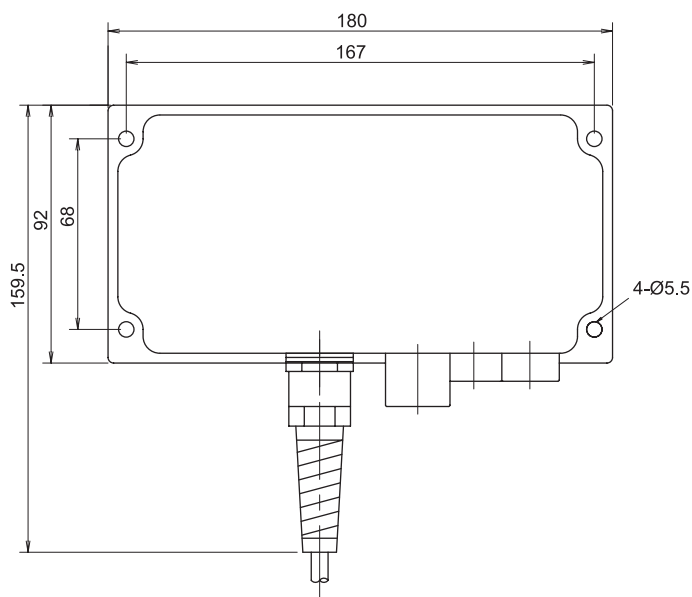


10. **HIWIN 2-Axis Controller (1)**

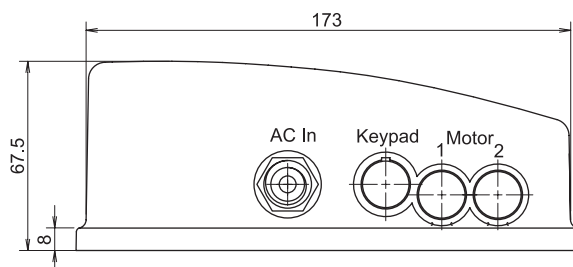
LAK2

CE



Input voltage	AC 100/110/220/230V
Output power	108W (24VDC)
Duty cycle	10%
Working temp	-5°C ~ 50°C
Protection*	IP 54

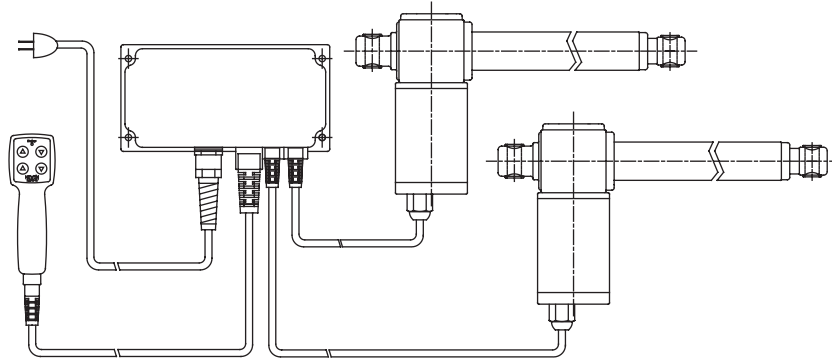
*Option: IP66



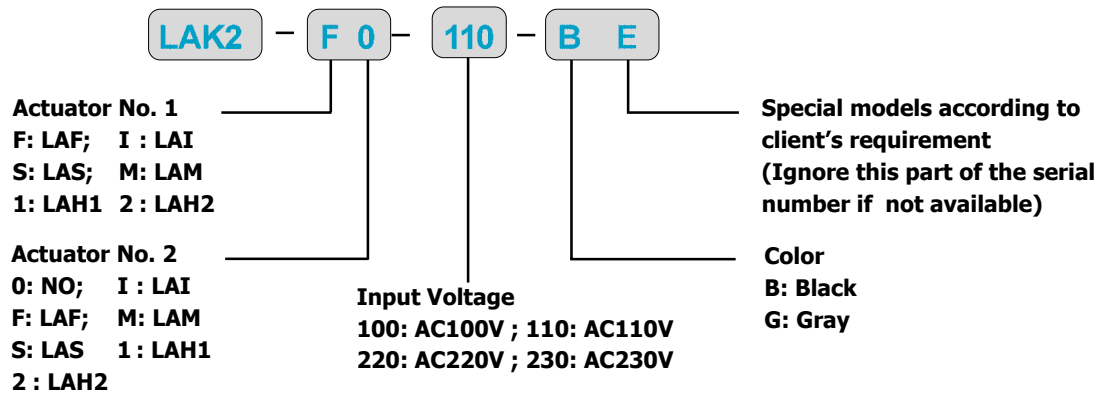
- Features of LAK2**

- Control 1 or 2 Linear Actuators
- Compact size
- Over current protection
- Standard cable length: 4m

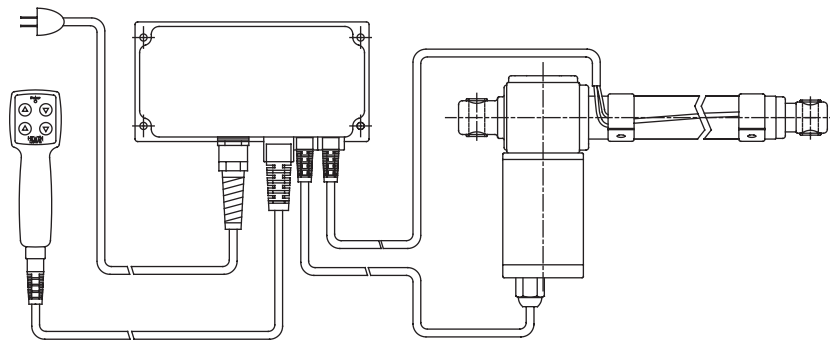
- For Series LAS, LAF, LAI, LAM and LAH1, LAH2



- Ordering Information



- For Series LAI, LAM, LAH2 completed with external limit switches



- Ordering Information

