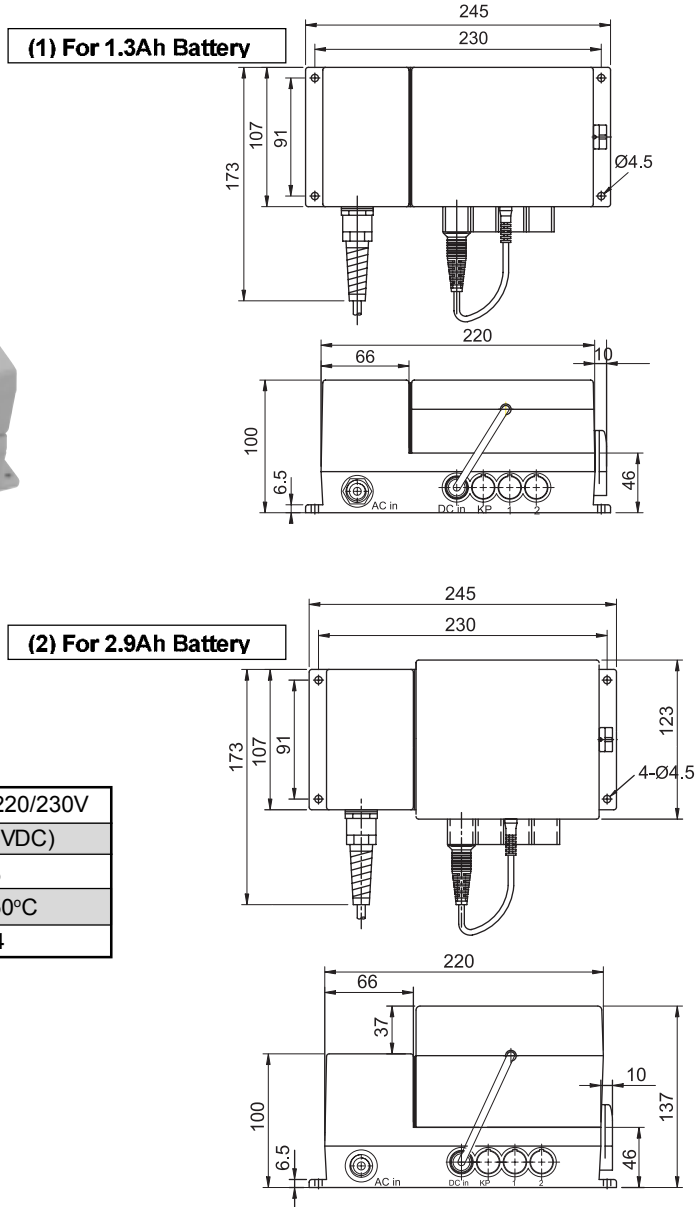


# 10.

# HIWIN 2-Axis Controller (2)

**LAK2B**

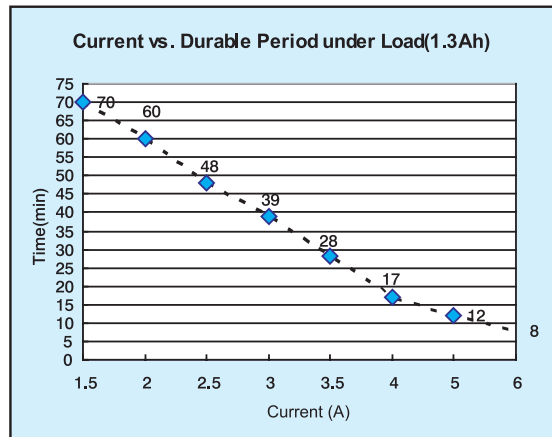


Input voltage	AC 100/110/220/230V
Output power	144W (24VDC)
Duty cycle	10%
Working temp	-5°C ~ 50°C
Protection*	IP 54

\*Option: IP66

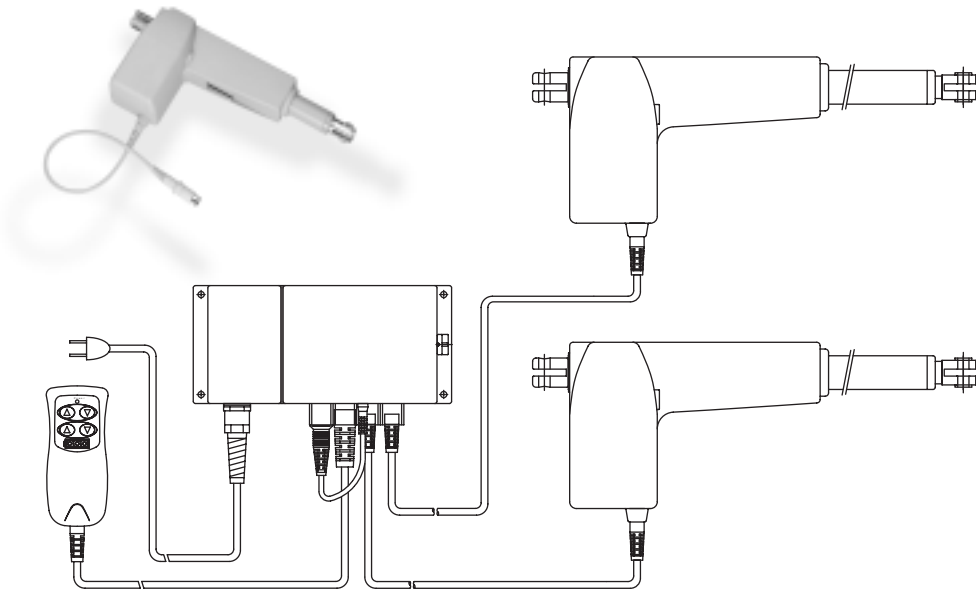
## ● Features of LAK2B

- Control 1 or 2 Linear Actuators
- Compact size
- Over current protection
- Soft - start
- Standard cable length : 4 m
- Battery recharge
- Automatic alarm when the battery is low
- Battery capacity 1.3 Ah (12VCDx2)  
(Option:2.9Ah, 12VCDx2)

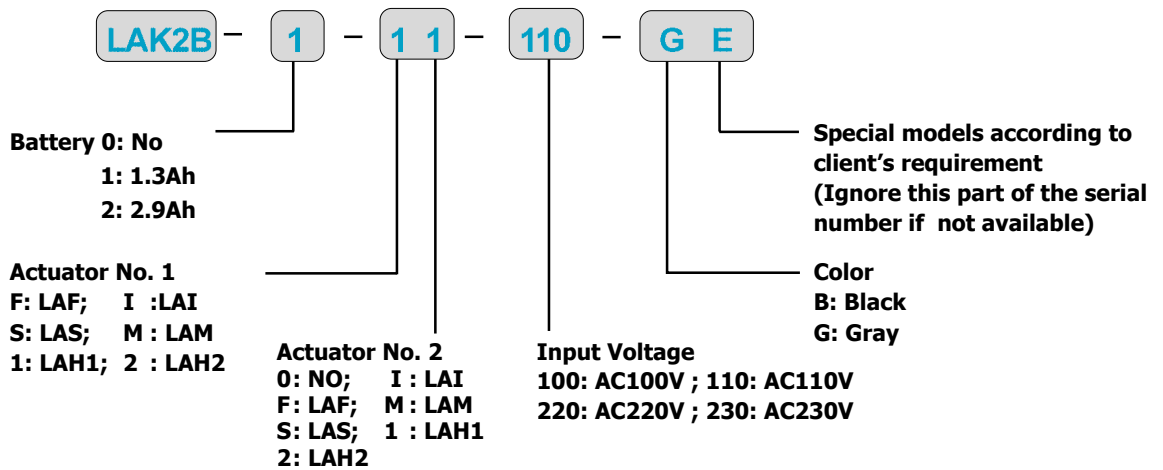


**Note:** Please charge the battery at least 8 hours for the first time.

- For Series LAH, LAS, LAF, LAI and LAM



- Ordering Information (LAK2B)



- Ordering Information (Battery)

