

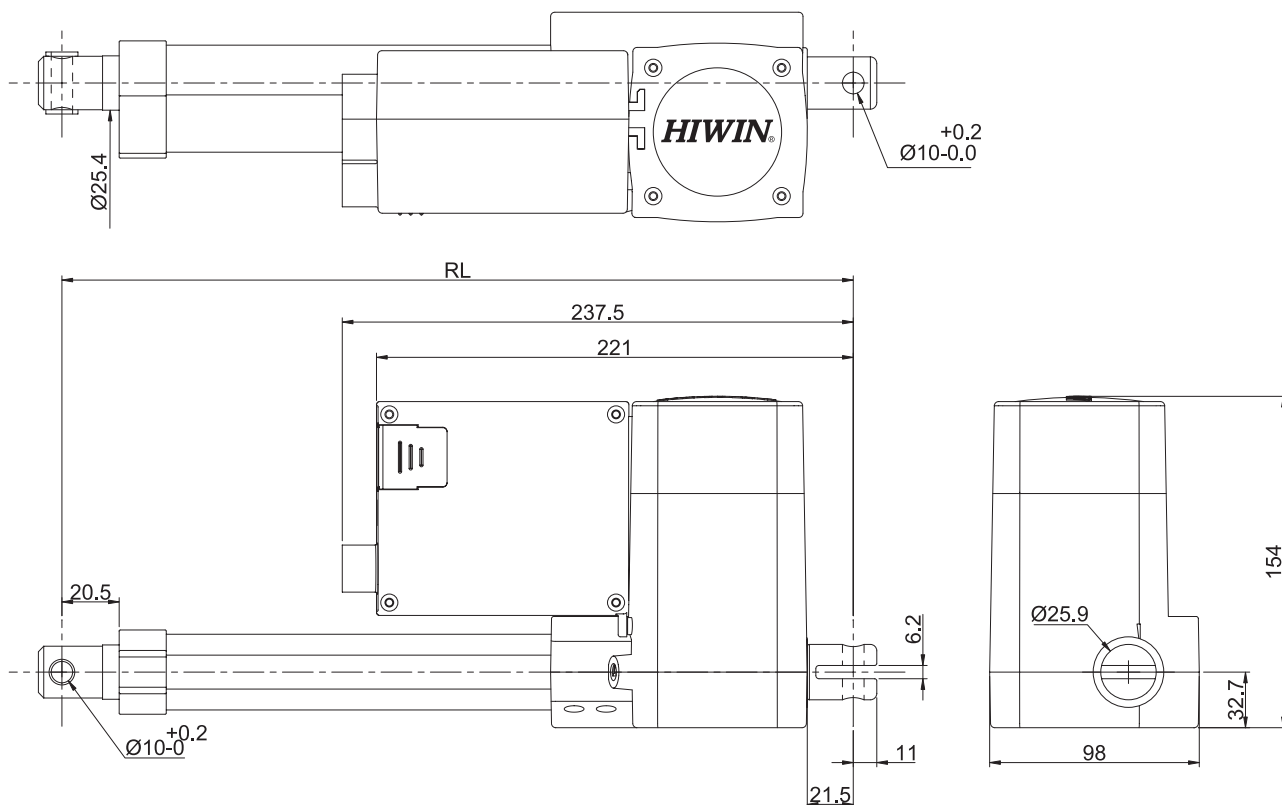
# 10. HIWIN 2-Axis Controller (3)

## LAK2D



Input voltage	AC 100/110/220/230V
Output power	108W (24VDC)
Duty cycle	10%
Working temp	-5°C ~ 50°C
Protection*	IP 54

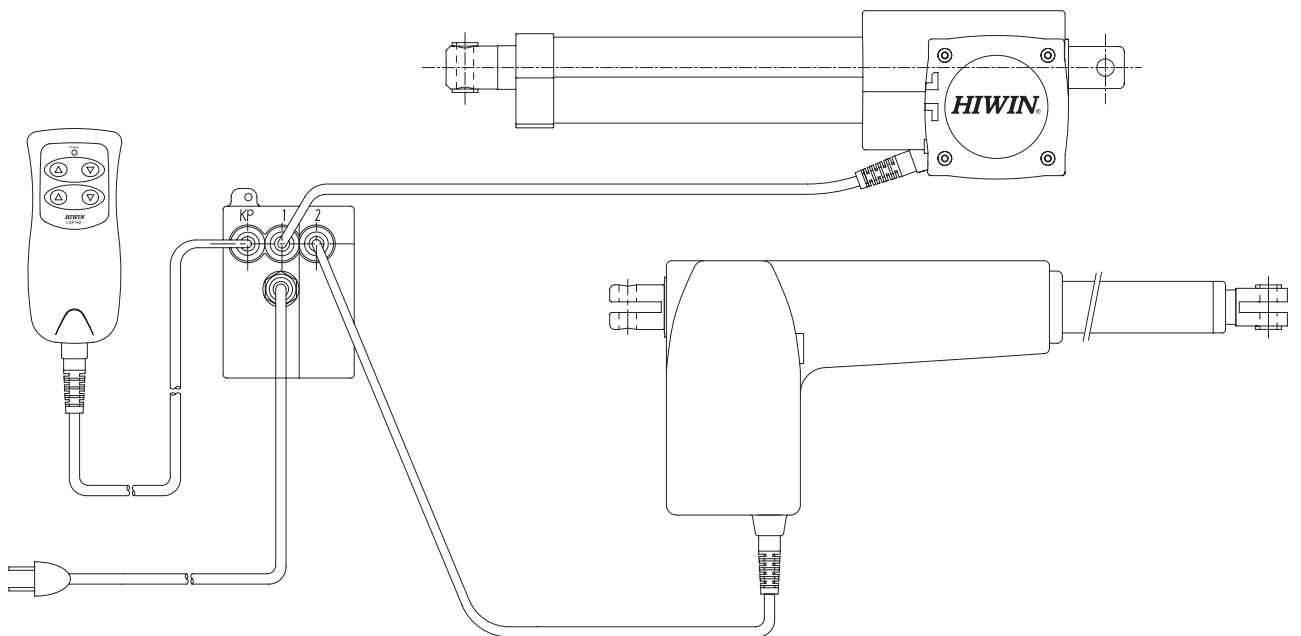
\*Option: IP66



- **Features of LAK2D**

- Control 1 or 2 Linear Actuators
- Standard cable length : 4 m
- Compatible with *HIWIN*'s LAM3 Series
- Color : Gray
- Can be mounted directly on LAM3
- Over current protection
- During power outage insert 2 (9-volt alkaline batteries) to descend as an emergency resolution

- **For series LAM3 and LAH1:**



- **Ordering Information**

