

12.

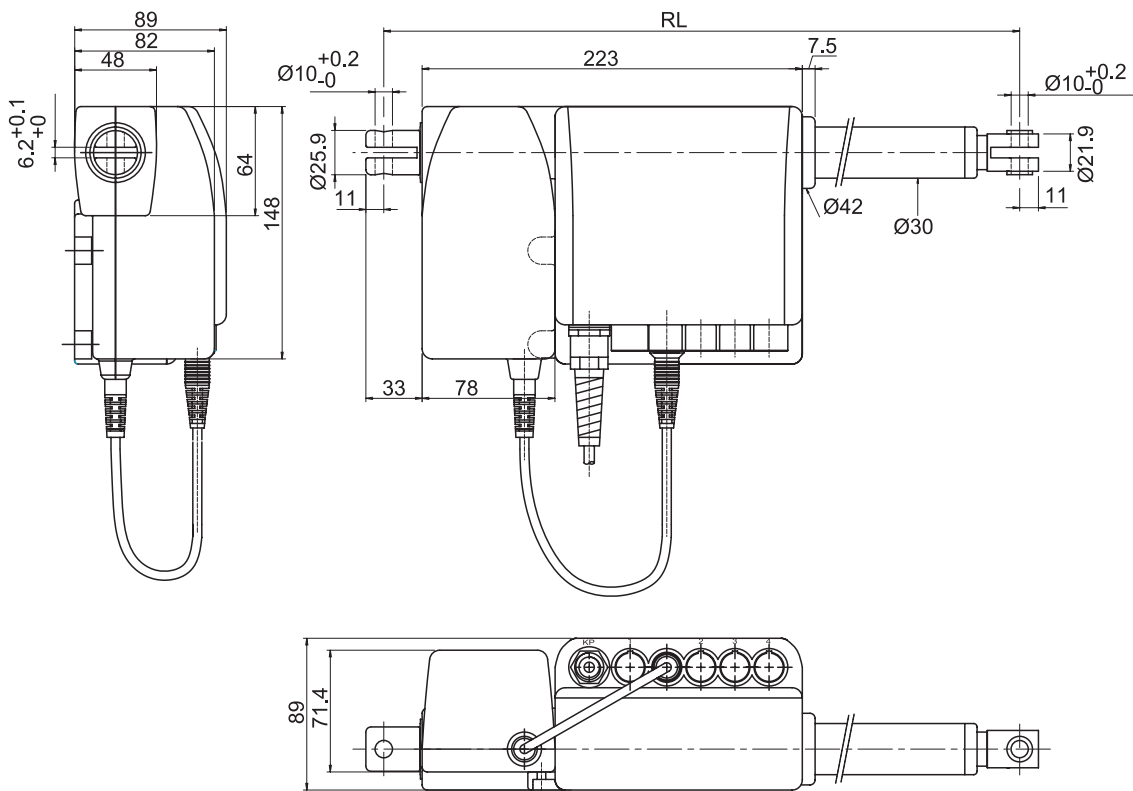
HIWIN 4-Axis Controller (1)

LAK4



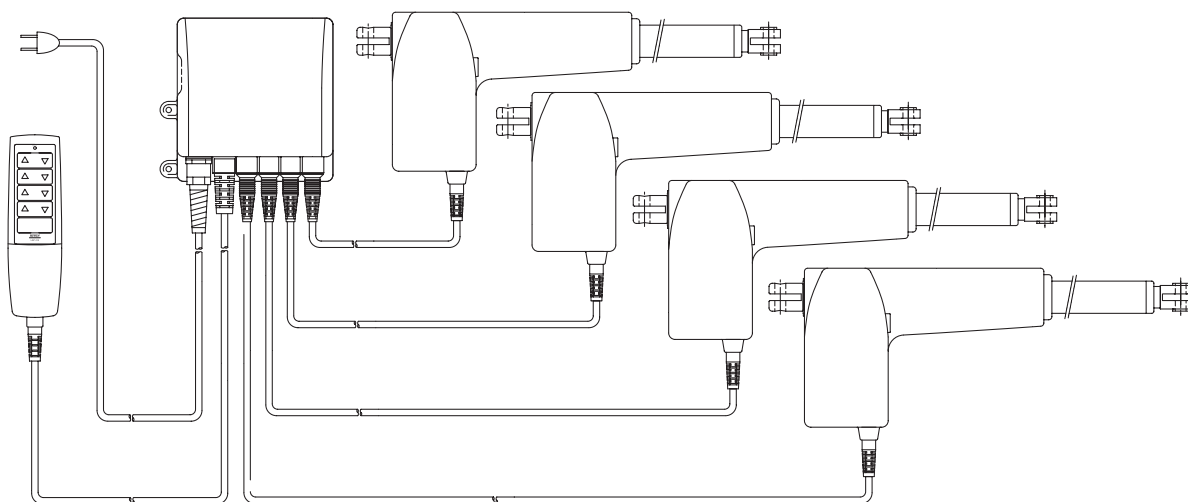
Input voltage	AC 100/110/220/230V
Output power	72.5W(24VDC)
Duty cycle	10%
Working temp	-5°C ~ 50°C
Protection*	IP 54

*Option: (1)IP66 (2)Over-Current protection for 3 axes at most



- **Features of LAK4**
 - Control 1 or 4 Linear Actuators
 - Compatible with *HIWIN*'s LAH1 Series
 - Can be mounted directly on LAH1
 - Standard cable length: 4m
 - Color: Gray

- **For Series LAH1**



- **Ordering Information**

