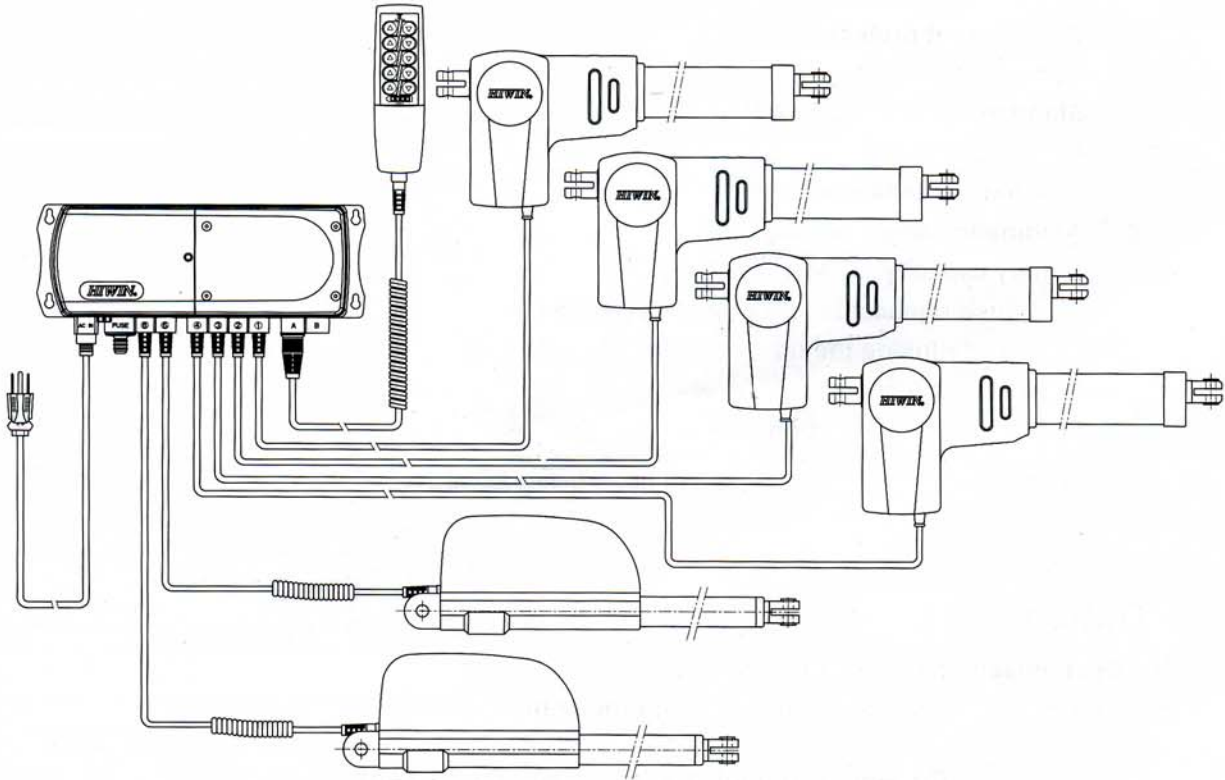
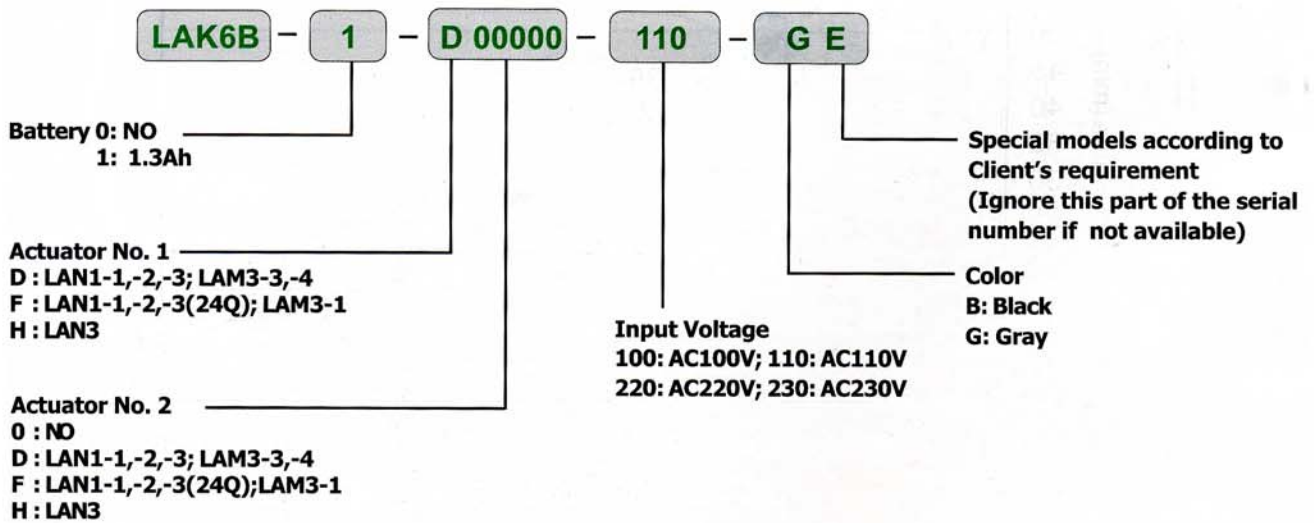


- For Series LAS, LAM3, LAN1, LAN2, LAN3 and LAN4



- Ordering Information



\* Check table attached for over current setting...see page 33.